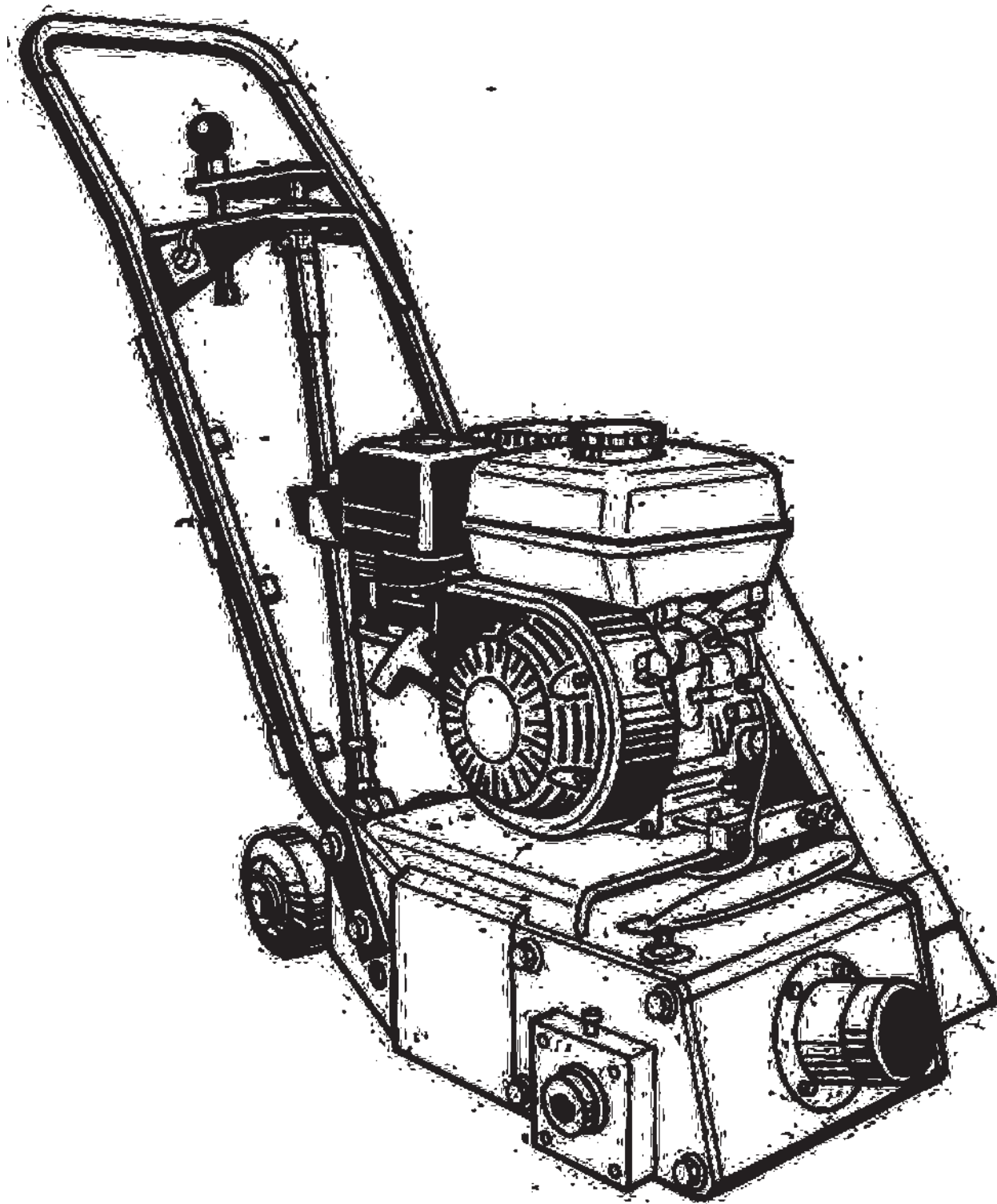


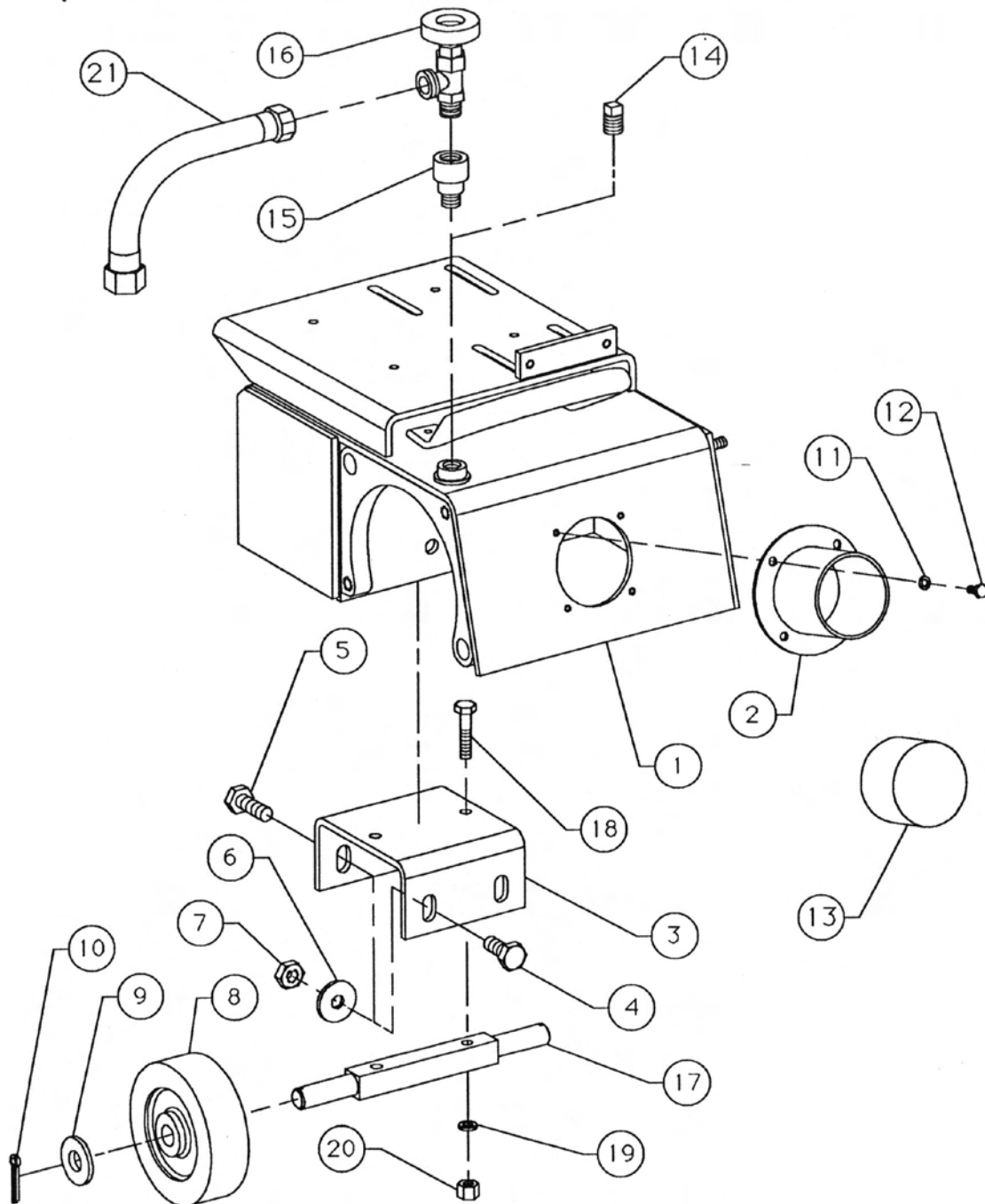
Replacement Parts Diagrams SP8 Series Surface Planer



Main Frame Assembly

SP8 Series II Surface Planers

(Starting With SP8/GH Serial Number 26032)
(Starting With SP8/E5HP Serial Number 25567)



Main Frame Assembly
SP8 Series II Surface Planers
(Starting With SP8/GH Serial Number 26032)
(Starting With SP8/E5HP Serial Number 25567)

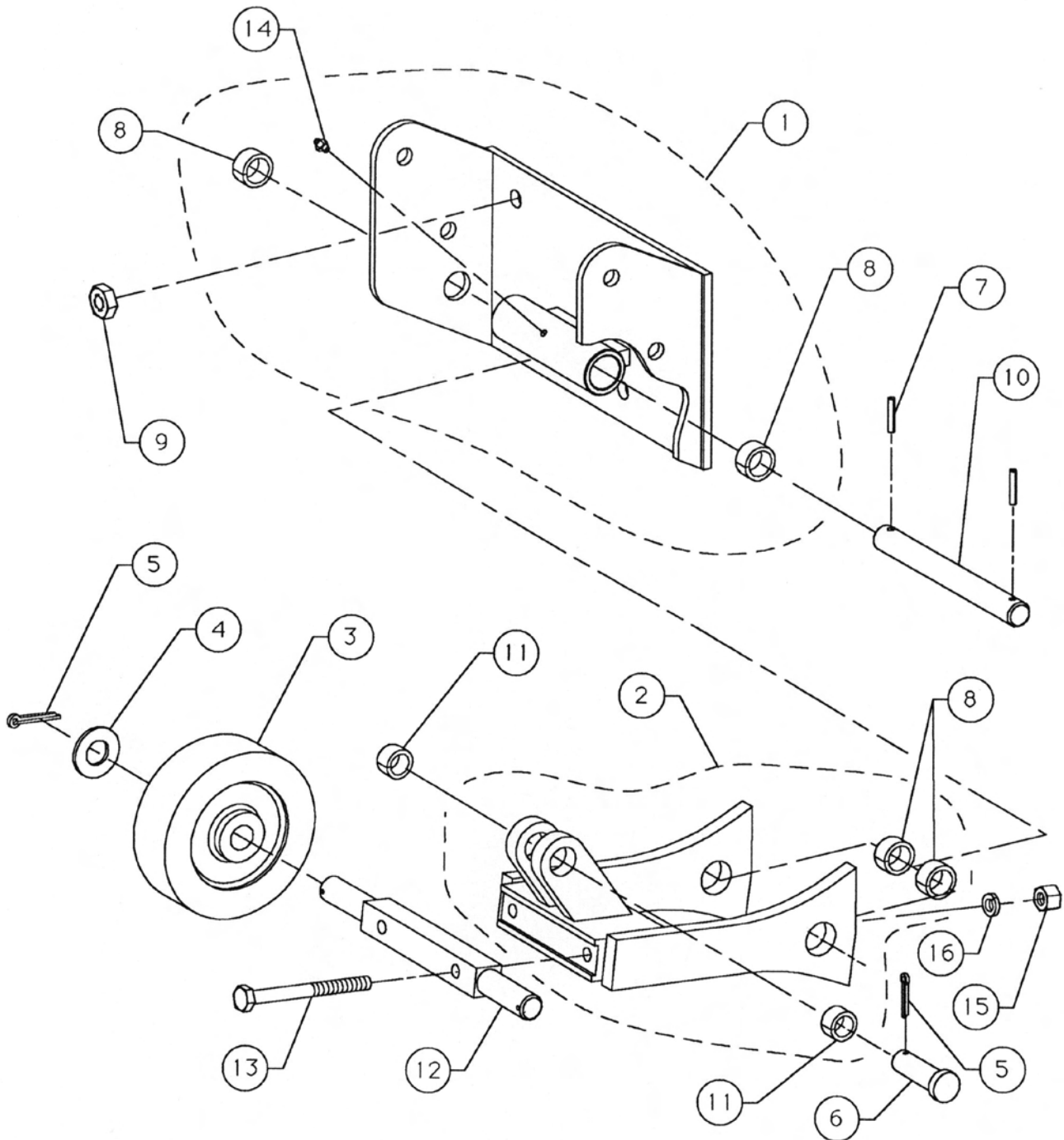
Reference Number	PART NUMBER	DESCRIPTION	QTY
1	SP8-0051	Frame, Main	1
2	SG24-0360	Tube, Vacuum	1
3	SP8-0061	Axle Mount	1
4	15081000	Screw, Cap, 1/2-13 UNC x 1-1/4", Plated, Grade 5	2
5	15081200	Screw, Cap, 1/2-13 UNC x 1-1/2", Plated, Grade 5	2
6	17080000	Washer, Flat, 1/2", Plated	4
7	53080000	Nut, Hexagon, 1/2-13 UNC, Self-Locking, Plated	4
8	SP8-0070	Wheel, Caster	2
9	17120000	Washer, Flat, 3/4", Plated	2
10	22021200	Pin, Cotter, 5/32" x 1-1/2", Plated	2
11	16040000	Washer, Lock, 1/4", Plated	4
12	15040600	Screw, Cap, 1/4-20 UNC x 3/4", Plated, Grade 5	4
13	SP8-0350	Cap, Dust Cover	1
14	26040000	Plug, Pipe, 1/4 NPTF, Square	1
15	SP8-0040	Fitting, Reducing (Not Used With Item 14)	1
16	SP8-0030	Valve (Not Used With Item 14)	1
17	SP8-0370	Axle	1
18	15061400	Screw, Cap, 3/8-16 UNC x 1-3/4", Plated, Grade 5	2
19	16060000	Washer, Lock, 3/8", Plated	2
20	18060000	Nut, Hexagon, 3/8-16 UNC, Plated	2
21	CS8-0900	Hose, Jumper	1

Rear Frame Assembly

SP8 Series II Surface Planers

(Up To SP8/GH Serial Number 26198)

(Up To SP8/E5HP Serial Number 25563)



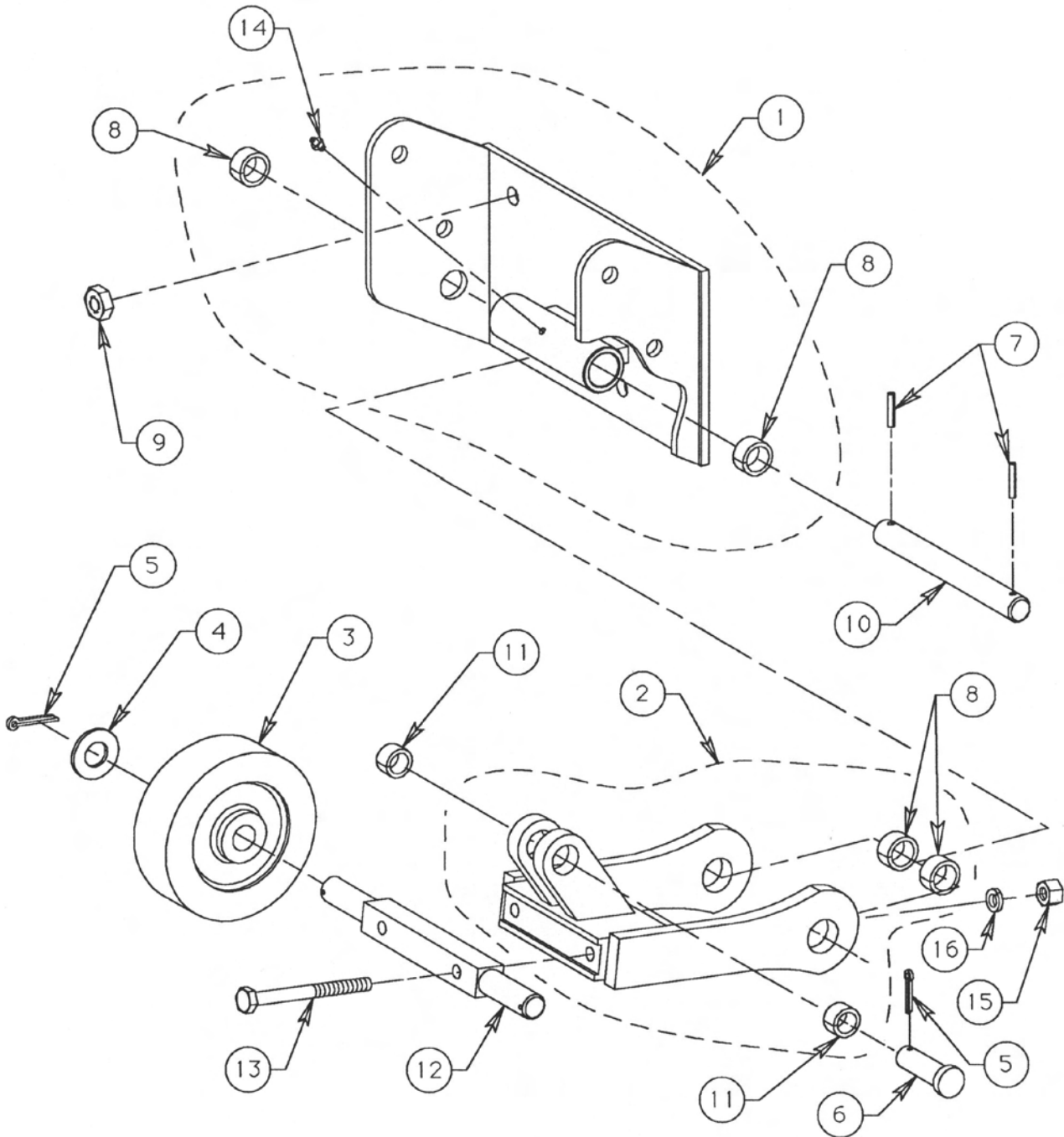
Rear Frame Assembly
SP8 Series II Surface Planers
(Up To SP8/GH Serial Number 26198)
(Up To SP8/E5HP Serial Number 25563)

Reference Number	PART NUMBER	DESCRIPTION	QTY
1	SP8-0091	Assembly, Rear Frame Mount (Includes P/N SP8-0450 and 550-0590)	1
2	SP8-0111	Assembly, Rear Axle Mount (Includes P/N SP8-0450 and SP8-0460)	1
3	SP8-0070	Wheel, Caster	2
4	17120000	Washer, Flat, 3/4", Plated	2
5	22021200	Pin, Cotter, 5/32" x 1-1/2", Plated	3
6	23101600	Pin, Clevis, 5/8" x 2", Plated	1
7	20030800	Pin, Roll, 3/16" x 1", Plated	2
8	SP8-0450	Bushing, Connex®	4
9	53080000	Nut, Hexagon, 1/2-13 UNC, Self-Locking, Plated	2
10	SP8-0100	Shaft, Hinge, Plated	1
11	SP8-0460	Bushing, Connex®	2
12	SP8-0370	Axle	1
13	15063200	Screw, Cap, 3/8-16 UNC x 4", Plated, Grade 5	2
14	550-0590	Fitting, Grease	1
15	18060000	Nut, Hexagon, 3/8-16 UNC, Plated	2
16	16060000	Washer, Lock, 3/8", Plated	2

Rear Frame Assembly

SP8 Series II Surface Planers

(Starting With SP8/GH Serial Number 26199)
 (Starting With SP8/E5HP Serial Number 25564)



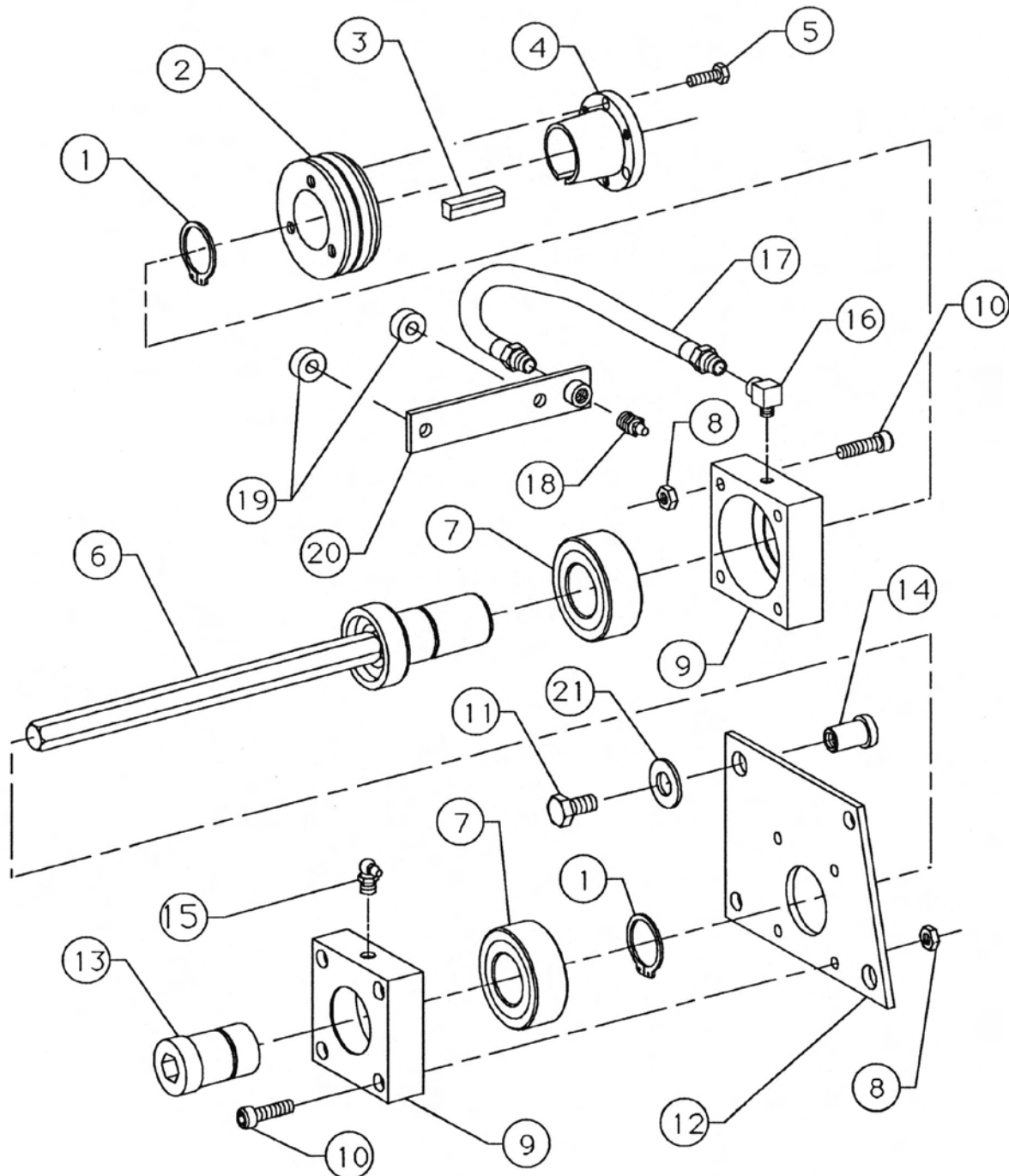
Rear Frame Assembly
SP8 Series II Surface Planers
(Starting With SP8/GH Serial Number 26199)
(Starting With SP8/E5HP Serial Number 25564)

Reference Number	PART NUMBER	DESCRIPTION	QTY
1	SP8-0091	Assembly, Rear Frame Mount (Includes P/N SP8-0450 and 550-0590)	1
2	SP8-0112	Assembly, Rear Axle Mount (Includes P/N SP8-0450 and SP8-0460)	1
3	SP8-0070	Wheel, Caster	2
4	17120000	Washer, Flat, 3/4", Plated	2
5	22021200	Pin, Cotter, 5/32" x 1-1/2", Plated	3
6	23101600	Pin, Clevis, 5/8" x 2", Plated	1
7	20030800	Pin, Roll, 3/16" x 1", Plated	2
8	SP8-0450	Bushing, Connex®	4
9	53080000	Nut, Hexagon, 1/2-13 UNC, Self-Locking, Plated	2
10	SP8-0100	Shaft, Hinge, Plated	1
11	SP8-0460	Bushing, Connex®	2
12	SP8-0370	Axle	1
13	15063200	Screw, Cap, 3/8-16 UNC x 4", Plated, Grade 5	2
14	550-0590	Fitting, Grease	1
15	18060000	Nut, Hexagon, 3/8-16 UNC, Plated	2
16	16060000	Washer, Lock, 3/8", Plated	2

Driveshaft Assembly

SP8 Series II Surface Planers

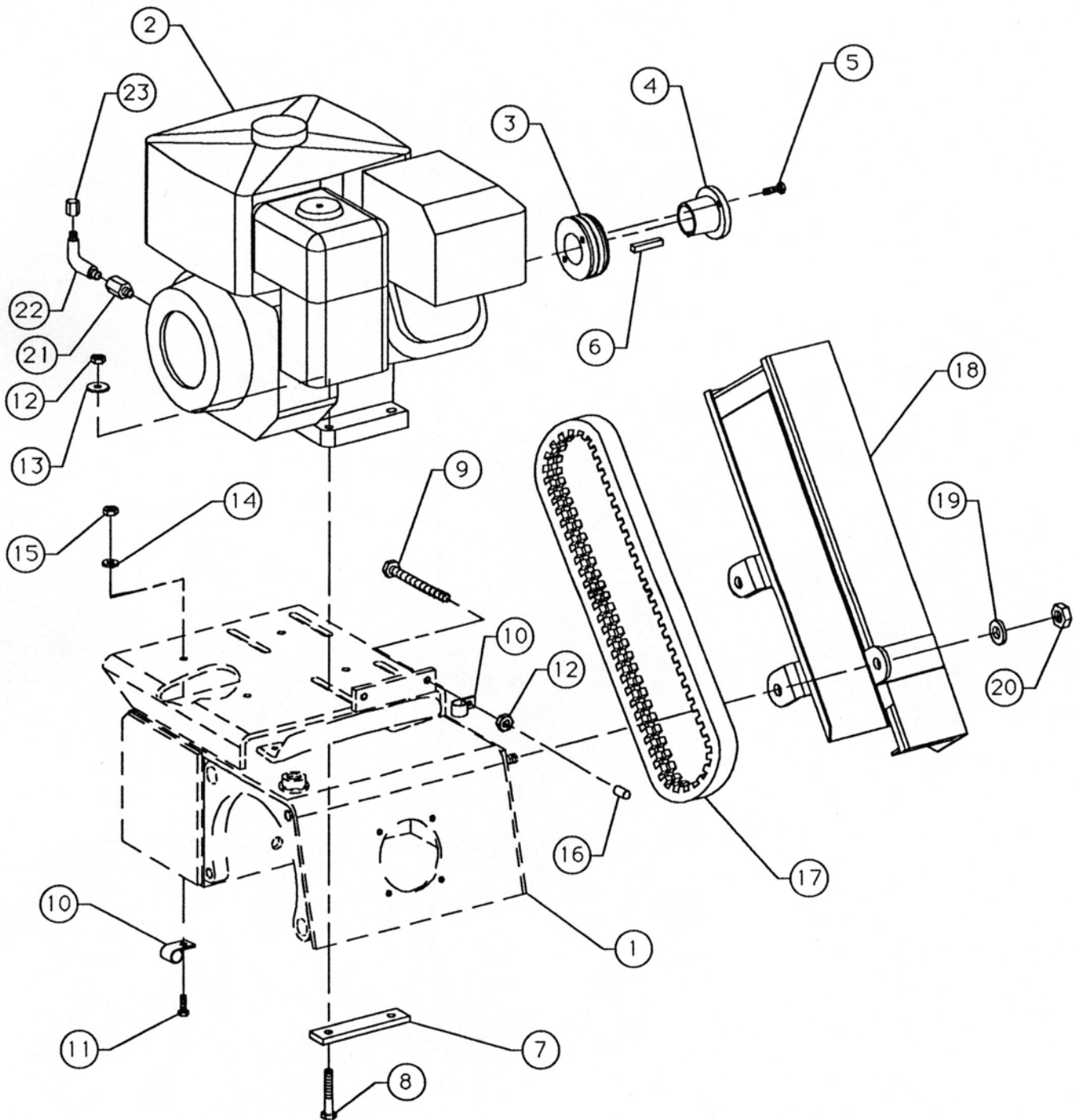
(Starting With SP8/GH Serial Number 26032)
(Starting With SP8/E5HP Serial Number 25567)



Driveshaft Assembly
SP8 Series II Surface Planers
(Starting With SP8/GH Serial Number 26032)
(Starting With SP8/E5HP Serial Number 25567)

Reference Number	PART NUMBER	DESCRIPTION	QTY
1	SP8-0290	Ring, Retaining, External	2
2	SP8-0201	Sheave, Driveshaft	1
3	SP8-0211	Key, Special	1
4	SP8-0221	Sheave, Center Hub	1
5	15050800	Screw, Cap, 5/16-18 UNC x 1", Plated, Grade 5	3
6	SP8-0241	Driveshaft	1
7	SP8-0421	Bearing, Sealed	2
8	52060000	Nut, Hex, Self-Locking, 3/8-16 UNC, Plated	8
9	SP8-0231	Block, Bearing Mounting	2
10	60061200	Screw, Cap, Socket, 3/8-16 UNC x 1-1/2", Plated	8
11	15080800	Screw, Cap, 1/2-13 UNC x 3/4", Plated, Grade 5	4
12	SP8-0251	Plate, Main Frame Side	1
13	SP8-0330	Insert, Hex	1
14	SP8-0340	Bushing, Dowel	2
15	SP8-0560	Fitting, Grease, 90° x 1/8" NPT	1
16	SP8-0570	90° Street Elbow, 1/8" NPT x 1/8" NPT	1
17	SP8-0600	Hose, Grease	1
18	SP8-0590	Fitting, Grease, Straight, 1/8" NPT	1
19	GP8-0090	Spacer	2
20	SP8-0440	Hose Mount	1
21	SP8-4000	Washer, Hardened	4

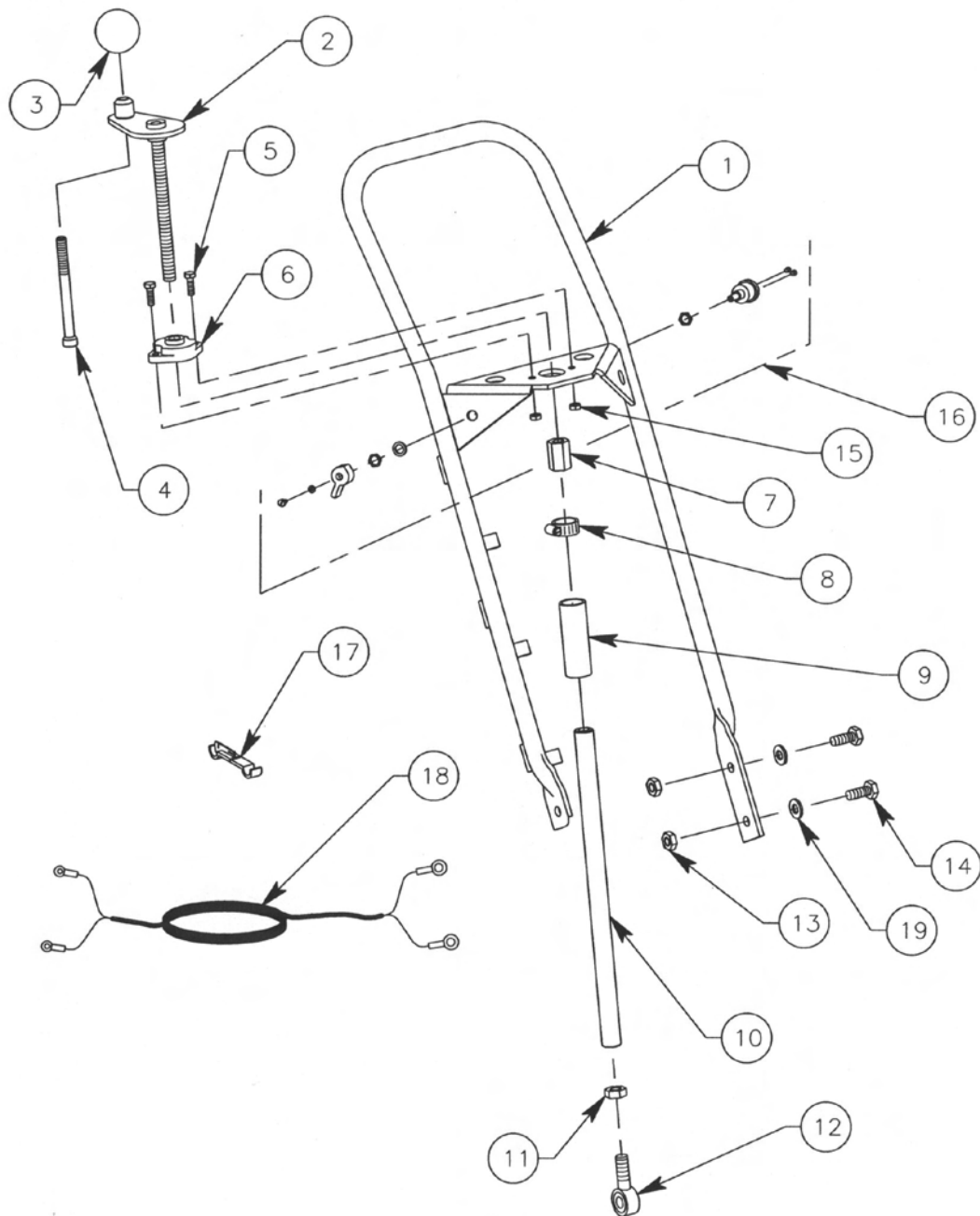
Gasoline Engine Assembly SP8/GH Series II Surface Planers



Gasoline Engine Assembly SP8/GH Series II Surface Planers

Reference Number	PART NUMBER	DESCRIPTION	QTY
1	SP8-0051	Frame, Main	Ref
2	GX160K1QXC9	Engine, Honda, (5.5 HP)	1
3	SP8-0270	Sheave, Engine	1
4	SP8-0280	Bushing, Center Hub	1
5	15040600	Screw, Cap, 1/4-20 UNC x 3/4", Grade 5	2
6	SP8-0290	Key, Standard, 3/16" x 3/16" x 1-1/2"	1
7	SP8-0010	Bracket, Engine Mount	2
8	15051600	Screw, Cap, 5/16-18 UNC x 2", Plated, Grade 5	4
9	SP8-0020	Screw, Cap, Full Thread, Engine Take-up, Plated	2
10	COV-0411	Clamp, Plated	2
11	15040600	Screw, Cap, 1/4-20 UNC x 3/4", Plated, Grade 5	1
12	17040000	Washer, Flat, 1/4", Plated	4
13	53050000	Nut, Hexagon, 5/16-18 UNC, Self-Locking, Plated	6
14	16040000	Washer, Lock, 1/4", Plated	1
15	18040000	Nut, Hexagon, 1/4-20 UNC, Plated	1
16	SP8-0380	Cap, Plastic	2
17	3VX335	V-Belt	1
18	SP8-0300	Shroud, V-Belt Safety	1
19	17060000	Washer, Flat, 3/8", Plated	3
20	53060000	Nut, Hexagon, 3/8-16 UNC, Self-Locking, Plated	3
21	SP8-0400	Adapter	1
22	SP8-0390	Hose, Oil Drain	1
23	660-0490	Cap, Female, 1/4" NPT	1

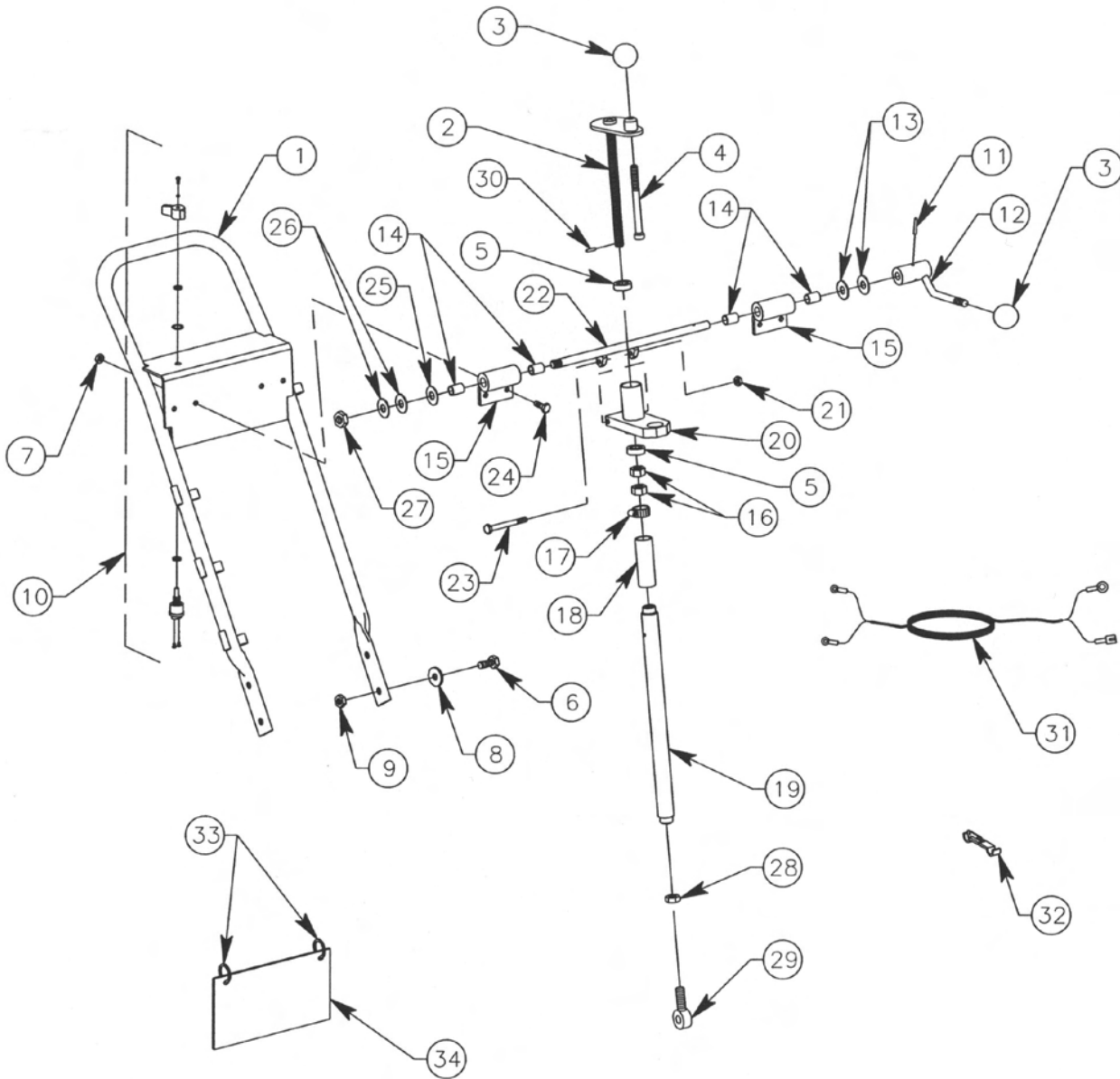
Operator Handle Assembly SP8/GH Series II Surface Planers (Used Up To Serial Number 26198)



Operator Handle Assembly SP8/GH Series II Surface Planers (Used Up To Serial Number 26198)

Reference Number	PART NUMBER	DESCRIPTION	QTY
1	SP8-0141	Handle, Operator	1
2	SP8-0130	Screw, Crank	1
3	SP8-0120	Knob, Handle	1
4	SP8-0410	Screw, Socket Head, Special	1
5	15050800	Screw, Cap, 5/16-18 UNC x 1", Plated, Grade 5	2
6	SP8-0430	Bearing	1
7	SP8-0150	Nut, Special	1
8	56200000	Clamp, Hose, 1-1/4", Plated	1
9	SP8-0160	Boot, Sleeve	1
10	SP8-0170	Barrel, Adjusting	1
11	40100011	Nut, Hex, Jam, 5/8-18 UNF, Left Hand Thread, Plated	1
12	SP8-0180	Rod End	1
13	53080000	Nut, Hex, 1/2-13 UNC, Self-Locking, Plated	4
14	15081000	Screw, Cap, 1/2-13 UNC x 1-1/4", Plated, Grade 5	4
15	53050000	Nut, Hex, 5/16-18 UNC, Self-Locking, Plated	2
16	CS8-0350	Switch, Shut-Off	1
17	22x18 T-TAP	T-Tap, 22-18 Gauge Wire	1
18	SP8/GH-0370	Wire Loom, Shut-Off	1
19	17080000	Washer, Flat, 1/2", Plated	4

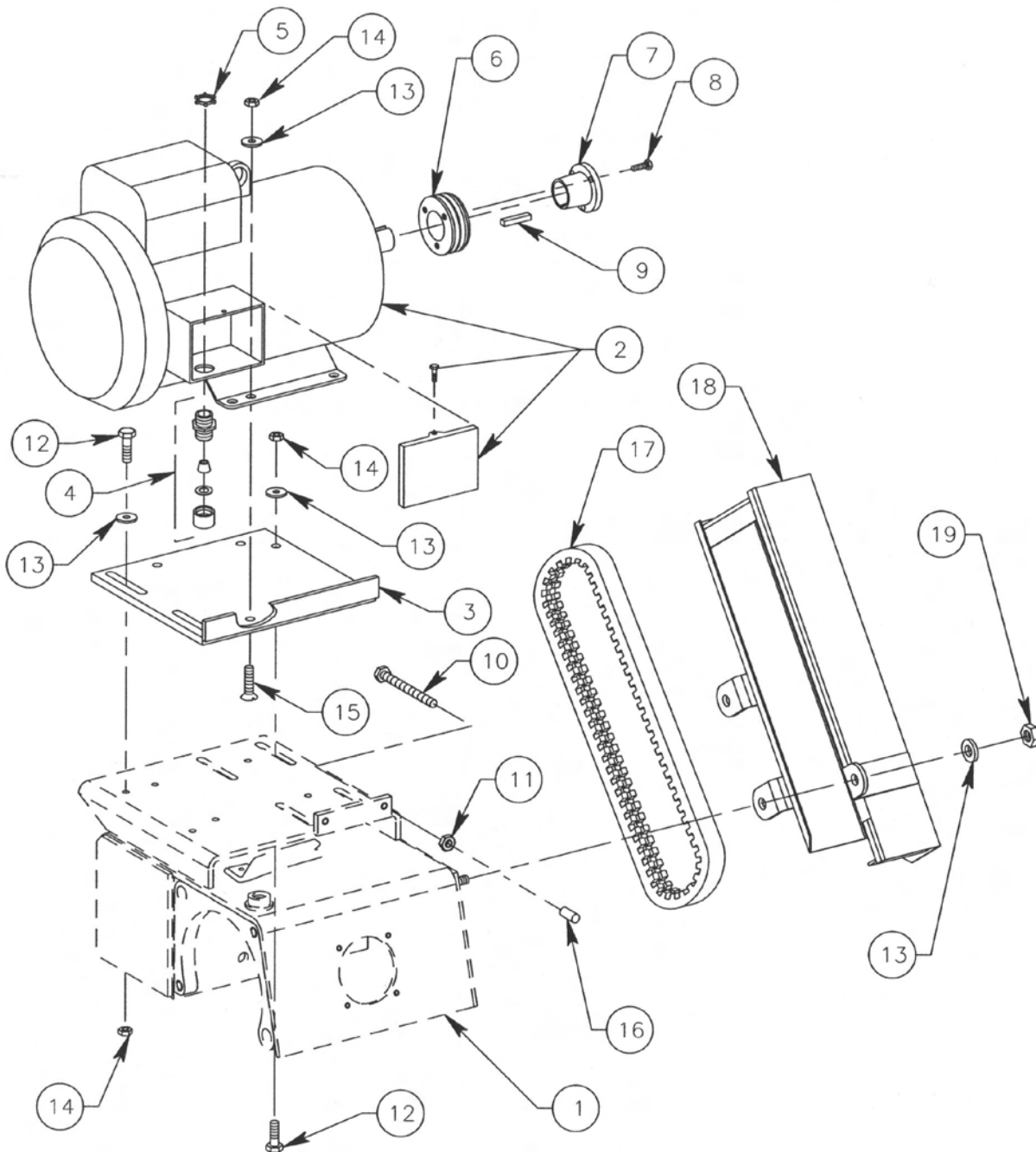
Operator Handle Assembly SP8/GH Series II Surface Planers (Starting With Serial Number 26199)



Operator Handle Assembly SP8/GH Series II Surface Planers (Starting With Serial Number 26199)

Reference Number	PART NUMBER	DESCRIPTION	QTY
1	SP8-0142	Handle, Operator	1
2	SP8-0131	Screw, Crank	1
3	SP8-0160	Knob, Handle	2
4	SP8-0410	Screw, Socket Head, Special	1
5	99502H	Bearing	2
6	15081000	Screw, Cap, 1/2-13 UNC x 1-1/4", Plated, Grade 5	4
7	53060000	Nut, Hexagon, Nylock®, 3/8-16 UNC, Plated	4
8	17080000	Washer, Flat, 1/2", Plated	4
9	53080000	Nut, Hex, 1/2-13 UNC, Self-Locking, Plated	4
10	CS8-0350	Switch, Shut-Off	1
11	20031200	Pin, Roll, 3/16" x 1-1/2"	1
12	CS8-0240	Lever	1
13	200682	Washer, Plastic	2
14	CS8-0420	Bearing, Oilite®	4
15	CS8-0190	Hinge, W/Bearings (Includes 2 Of Part Number CS8-0420)	2
16	18100000 LH	Nut, Hexagon, 5/8-11 UNC, LH, Plated	2
17	56200000	Clamp, Hose, 1-1/4", Plated	1
18	SP8-0160	Boot, Sleeve	1
19	SP8-0171	Barrel, Adjusting	1
20	CS8-0210	Tube, Bearing	1
21	18060000	Nut, Hexagon, 3/8-16 UNC, Plated	1
22	CS8-0200	Shaft, Over Center	1
23	81063000	Screw, Cap, 3/8-16 UNC x 3-3/4", Stainless	1
24	15060800	Screw, Cap, 3/8-16 UNC x 1", Plated, Grade 5	4
25	SG24-4000	Washer, Flat, 5/8", Special, Plated	1
26	84100000	Washer, Bellville	2
27	19100001	Nut, Hexagon, 5/8-18 UNF, Self-Locking, Plated, Grade 5	1
28	40100011	Nut, Hex, Jam, 5/8-18 UNF, Left Hand Thread, Plated	1
29	SP8-0180	Rod, End	1
30	20030600	Pin, Roll, 3/16" x 3/4"	1
31	SP8/GH-0370	Wire Loom, Shut-Off	1
32	22x18 T-TAP	T-Tap, 22-18 Gauge Wire	1
33	KIC-172	Ring, Kick-Out	2
34	SP8/G-5040	Sign, Planer Quik-tips	1

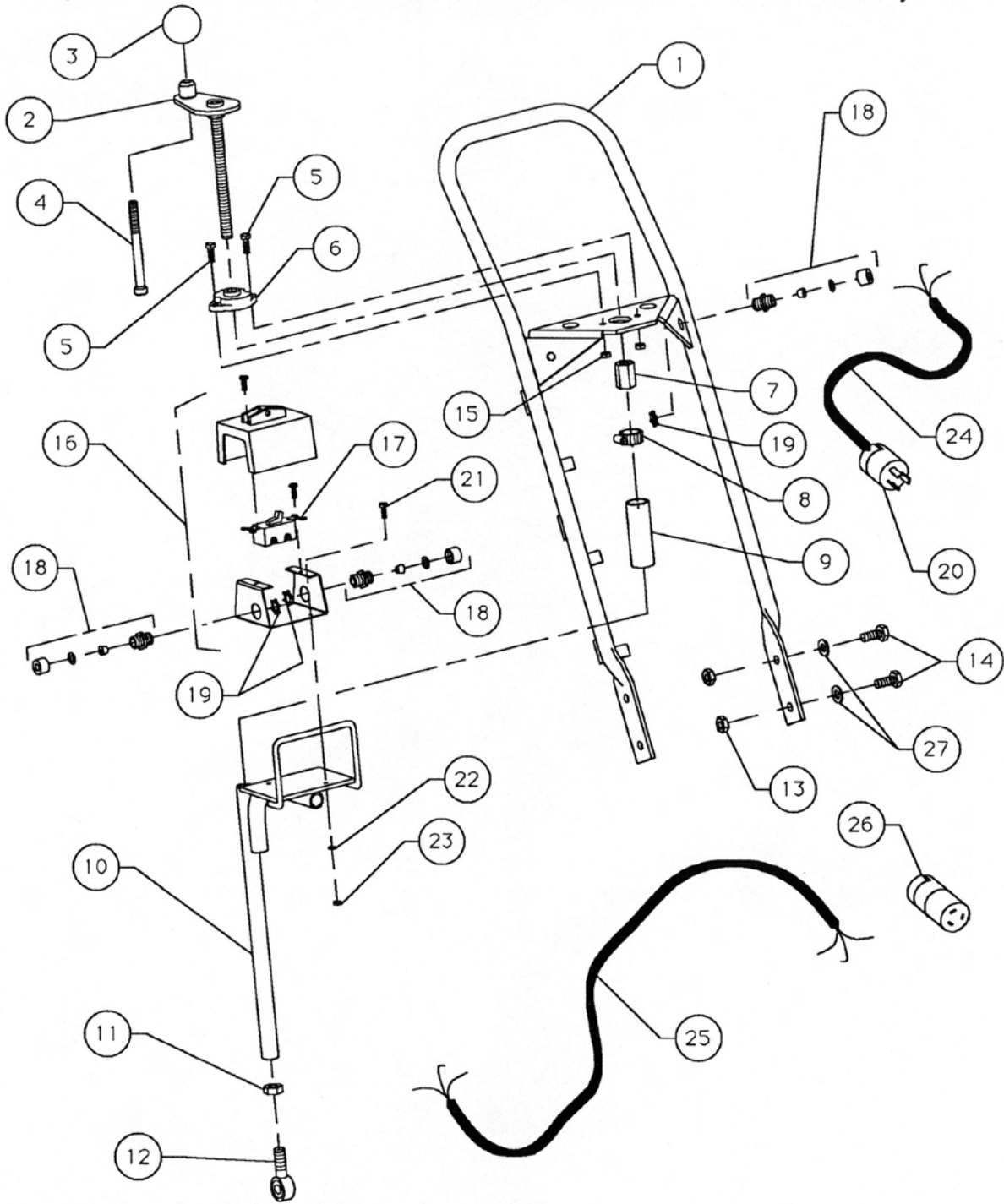
Electric Motor Assembly SP8/E5HP Series II Surface Planers



Electric Motor Assembly SP8/E5HP Series II Surface Planers

Reference Number	PART NUMBER	DESCRIPTION	QTY
1	SP8-0051	Frame, Main	Ref
2	SP8/E5HP-0060	Motor, Electric (5 HP)	1
3	SP8/E5HP-0050	Motor Plate	1
4	CG-5050	Relief, Strain	1
5	801	Nut, Bulkhead	1
6	SP8-0270	Sheave, Motor (60 Hz Operation)	1
	SP8-0510	Sheave, Motor (50 Hz Operation)	1
7	SP8-0540	Sheave, Center Hub	1
8	15040600	Screw, Cap, 1/4-20 UNC x 3/4", Grade 5	2
9	SP8/E-0210	Key, 3/16" x 1/4" x 1"	1
10	SP8-0020	Screw, Cap, Full Thread, Engine Take-Up, Plated	2
11	53050000	Nut, Hexagon, 5/16-18 UNC, Self-Locking, Plated	2
12	15060800	Screw, Cap, 3/8-16 UNC x 1", Plated, Grade 5	4
13	17060000	Washer, Flat, 3/8", Plated	11
14	53060000	Nut, Hexagon, 3/8-16 UNC, Self-Locking, Plated	8
15	27061000	Screw, Flat Head, 3/8-16 UNC x 1-1/4", Plated, Grade 5	4
16	SP8-0380	Cap, Plastic	2
17	3VX355	V-Belt (50 Hz and 60 Hz Operation)	1
18	SP8-0300	Shroud, V-Belt Safety	1
19	53060000	Nut, Hexagon, 3/8-16 UNC, Self-Locking, Plated	3

Operator Handle Assembly SP8/E5HP Series II Surface Planers (Used Up To Serial Number 25563)



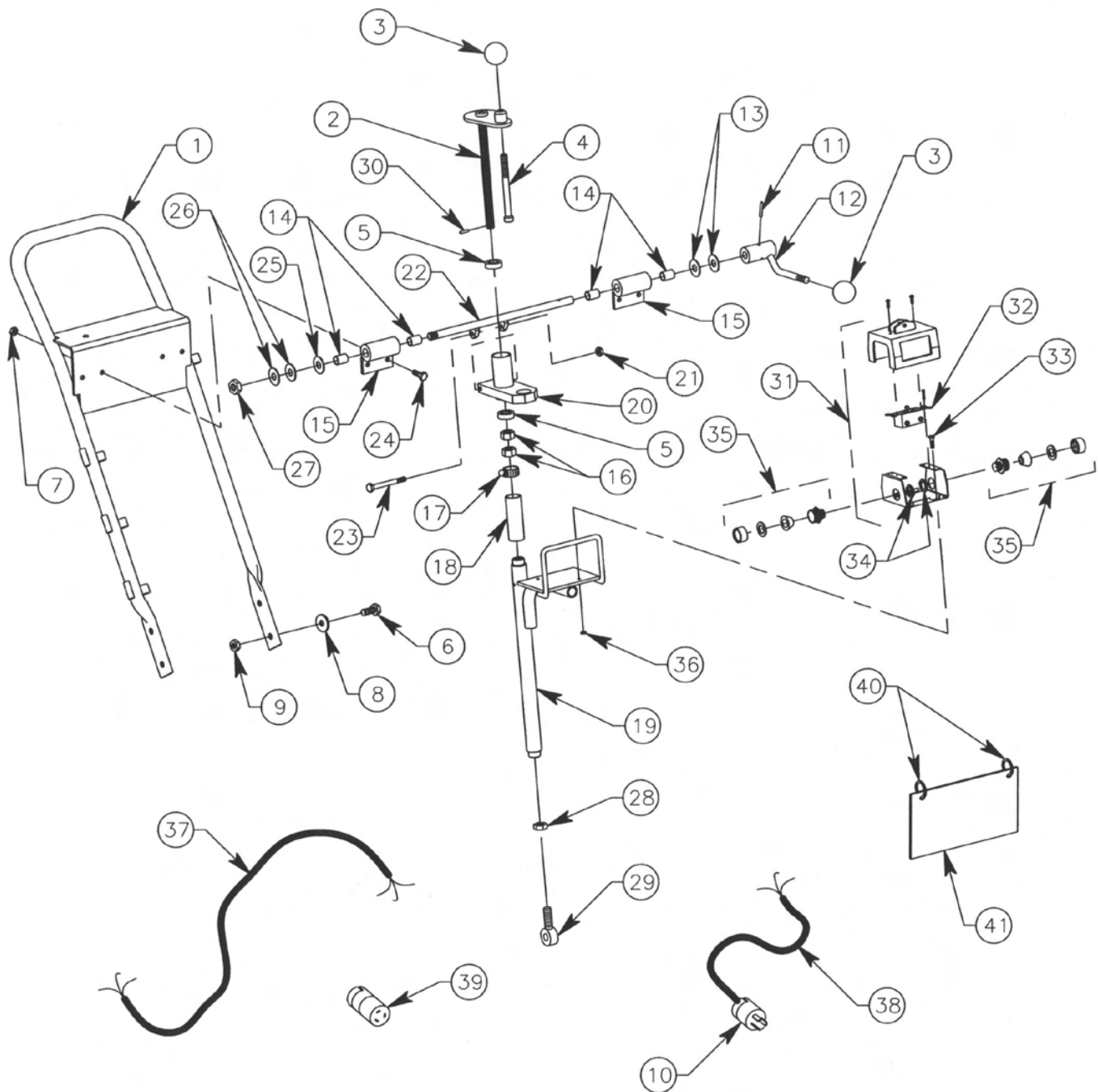
Operator Handle Assembly SP8/E5HP Series II Surface Planers (Used Up To Serial Number 25563)

Reference Number	PART NUMBER	DESCRIPTION	QTY
1	SP8-0141	Handle, Operator	1
2	SP8-0130	Screw, Crank	1
3	SP8-0120	Knob, Handle	1
4	SP8-0410	Screw, Socket Head, Special	1
5	15050800	Screw, Cap, 5/16-18 UNC x 1", Plated, Grade 5	2
6	SP8-0430	Bearing	1
7	SP8-0150	Nut	1
8	56200000	Clamp, Hose, 1-1/4", Plated	1
9	SP8-0160	Boot, Sleeve	1
10	SP8/E-0170	Barrel, Adjusting, Switch Mount	1
11	40100011	Nut, Hex, Jam, 5/8-18 UNF, Left Hand Thread, Plated	1
12	SP8-0180	Rod, End	1
13	53080000	Nut, Hex, 1/2-13 UNC, Self-Locking, Plated	4
14	15081000	Screw, Cap, 1/2-13 UNC x 1-1/4", Plated, Grade 5	4
15	53050000	Nut, Hex, 5/16-18 UNC, Self-Locking, Plated	2
16	HUB-1390	Housing, Switch	1
17	SP8/E5HP-0010	Switch, On/Off	1
18	CG-5050	Relief, Strain	3
19	801	Nut, Bulkhead	3
20	SP8/E5HP-0030	Plug, Male (60 Hz Operation Only)	1
21	15040500	Screw, Cap, 1/4-20 UNC x 5/8", Plated	2
22	16040000	Washer, Lock, 1/4", Plated	2
23	18040000	Nut, Hex, 1/4-20 UNC, Plated	2
24	SP8/E-0110	Cable, Electrical	1
25	SP8/E-0100	Cable, Electrical	1
26	SP8/E5HP-0020	Receptacle, Female (60 Hz Operation Only)	1
27	17080000	Washer, Flat, 1/2", Plated	4

Operator Handle Assembly

SP8/E5HP Series II Surface Planers

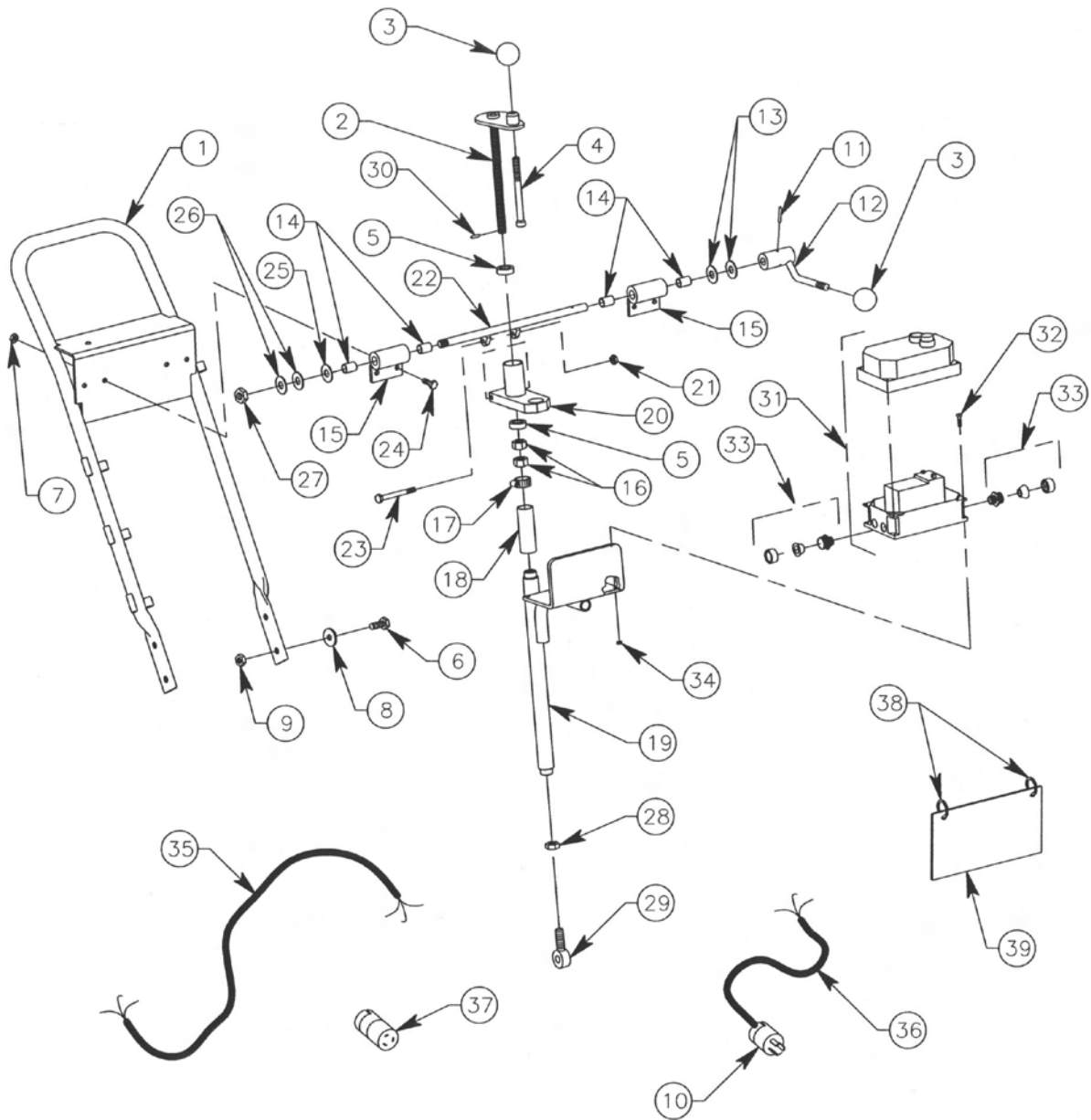
(Used Serial Number 25564 Thru 25577)



Operator Handle Assembly SP8/E5HP Series II Surface Planers (Used Serial Number 25564 Thru 25577)

Reference Number	PART NUMBER	DESCRIPTION	QTY
1	SP8-0142	Handle, Operator	1
2	SP8-0131	Screw, Crank	1
3	SP8-0160	Knob, Handle	2
4	SP8-0410	Screw, Socket Head, Special	1
5	99502H	Bearing	2
6	15081000	Screw, Cap, 1/2-13 UNC x 1-1/4", Plated, Grade 5	4
7	53060000	Nut, Hexagon, Nylock®, 3/8-16 UNC, Plated	4
8	17080000	Washer, Flat, 1/2", Plated	4
9	53080000	Nut, Hex, 1/2-13 UNC, Self-Locking, Plated	4
10	SP8/E5HP-0030	Plug, Electric, Male	1
11	20031200	Pin, Roll, 3/16" x 1-1/2"	1
12	CS8-0240	Lever	1
13	200682	Washer, Plastic	2
14	CS8-0420	Bearing, Oilite®	4
15	CS8-0190	Hinge, W/Bearings (Includes 2 Of Part Number CS8-0420)	2
16	18100000LH	Nut, Hexagon, 5/8-11 UNC, LH, Plated	2
17	56200000	Clamp, Hose, 1-1/4", Plated	1
18	SP8-0160	Boot, Sleeve	1
19	SP8/E-0171	Barrel, Adjusting	1
20	CS8-0210	Tube, Bearing	1
21	18060000	Nut, Hexagon, 3/8-16 UNC, Plated	1
22	CS8-0200	Shaft, Over Center	1
23	81063000	Screw, Cap, 3/8-16 UNC x 3-3/4", Stainless	1
24	15060800	Screw, Cap, 3/8-16 UNC x 1", Plated, Grade 5	4
25	SG24-4000	Washer, Flat, 5/8", Special, Plated	1
26	84100000	Washer, Bellville	2
27	19100001	Nut, Hexagon, 5/8-18 UNF, Self-Locking, Plated, Grade 5	1
28	40100011	Nut, Hex, Jam, 5/8-18 UNF, Left Hand Thread, Plated	1
29	SP8-0180	Rod, End	1
30	20030600	Pin, Roll, 3/16" x 3/4"	1
31	HUB-1390	Housing, Switch	1
32	SP8/E5HP-0010	Switch, On/Off	1
33	60030500	Screw, Cap, Socket Head, #10-24 UNC x 5/8", Plated	2
34	801	Nut, Bulkhead	2
35	CG-5050	Relief, Strain	2
36	53030000	Nut, Hexagon, Nylock®, #10-24 UNC, Plated	2
37	SP8/E-0100	Cable, Electrical	1
38	SP8/E-0110	Cable, Electrical	1
39	SP8/E5HP-0020	Receptacle, Female (60 Hz Operation Only)	1
40	KIC-172	Ring, Kick-Out	2
41	SP8/E5HP-5040	Sign, Planer Quik-tips	1

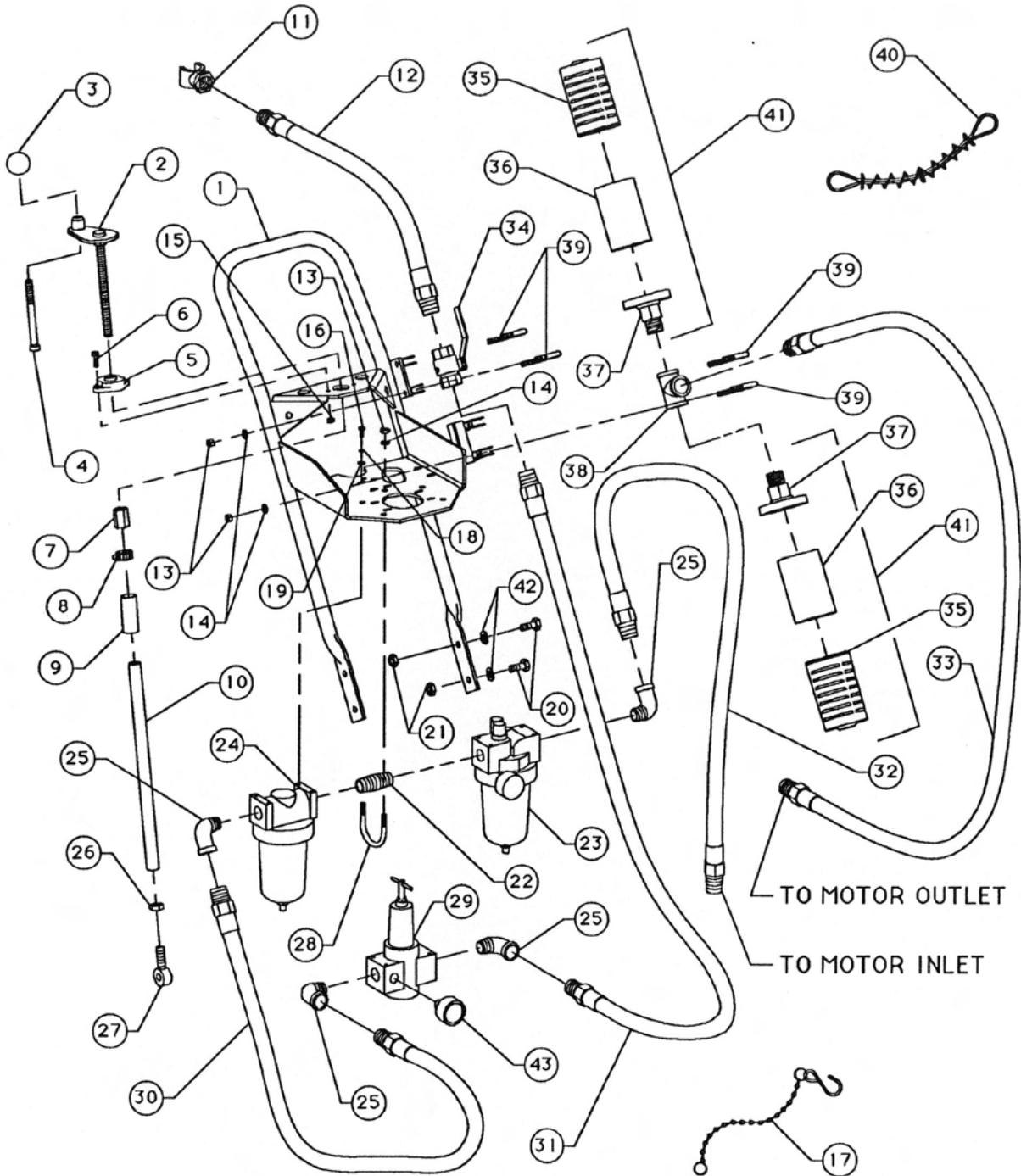
Operator Handle Assembly SP8/E5HP Series II Surface Planers (Used Starting With Serial Number 25578)



Operator Handle Assembly SP8/E5HP Series II Surface Planers (Used Starting With Serial Number 25578)

Reference Number	PART NUMBER	DESCRIPTION	QTY
1	SP8-0142	Handle, Operator	1
2	SP8-0131	Screw, Crank	1
3	SP8-0120	Knob, Handle	2
4	SP8-0410	Screw, Socket Head, Special	1
5	99502H	Bearing	2
6	15081000	Screw, Cap, 1/2-13 UNC x 1-1/4", Plated, Grade 5	4
7	53060000	Nut, Hexagon, Nylock®, 3/8-16 UNC, Plated	4
8	17080000	Washer, Flat, 1/2", Plated	4
9	53080000	Nut, Hex, 1/2-13 UNC, Self-Locking, Plated	4
10	SP8/E5HP-0030	Plug, Electric, Male	1
11	20031200	Pin, Roll, 3/16" x 1-1/2"	1
12	CS8-0240	Lever	1
13	200682	Washer, Plastic	2
14	CS8-0420	Bearing, Oilite®	4
15	CS8-0190	Hinge, W/Bearings (Includes 2 Of Part Number CS8-0420)	2
16	18100000LH	Nut, Hexagon, 5/8-11 UNC, LH, Plated	2
17	56200000	Clamp, Hose, 1-1/4", Plated	1
18	SP8-0160	Boot, Sleeve	1
19	SP8/E-0171	Barrel, Adjusting	1
20	CS8-0210	Tube, Bearing	1
21	18060000	Nut, Hexagon, 3/8-16 UNC, Plated	1
22	CS8-0200	Shaft, Over Center	1
23	81063000	Screw, Cap, 3/8-16 UNC x 3-3/4", Stainless	1
24	15060800	Screw, Cap, 3/8-16 UNC x 1", Plated, Grade 5	4
25	SG24-4000	Washer, Flat, 5/8", Special, Plated	1
26	84100000	Washer, Bellville	2
27	19100001	Nut, Hexagon, 5/8-18 UNF, Self-Locking, Plated, Grade 5	1
28	40100011	Nut, Hex, Jam, 5/8-18 UNF, Left Hand Thread, Plated	1
29	SP8-0180	Rod, End	1
30	20030600	Pin, Roll, 3/16" x 3/4"	1
31	SP8/E5HP-0460	Starter, Magnetic (60 Hz)f	1
32	60030700	Screw, Cap, Socket Head, #10-24 UNC x 7/8", Plated	4
33	FCS16-0460-010	Relief, Strain	2
34	53030000	Nut, Hexagon, Nylock®, #10-24 UNC, Plated	4
35	SP8/E5HP-0100	Cable, Electrical	1
36	SP8/E5HP-0110	Cable, Electrical	1
37	SP8/E5HP-0020	Receptacle, Female (60 Hz Operation Only)	1
38	KIC-172	Ring, Kick-Out	2
39	SP8/E5HP-5040	Sign, Planer Quik-tips	1

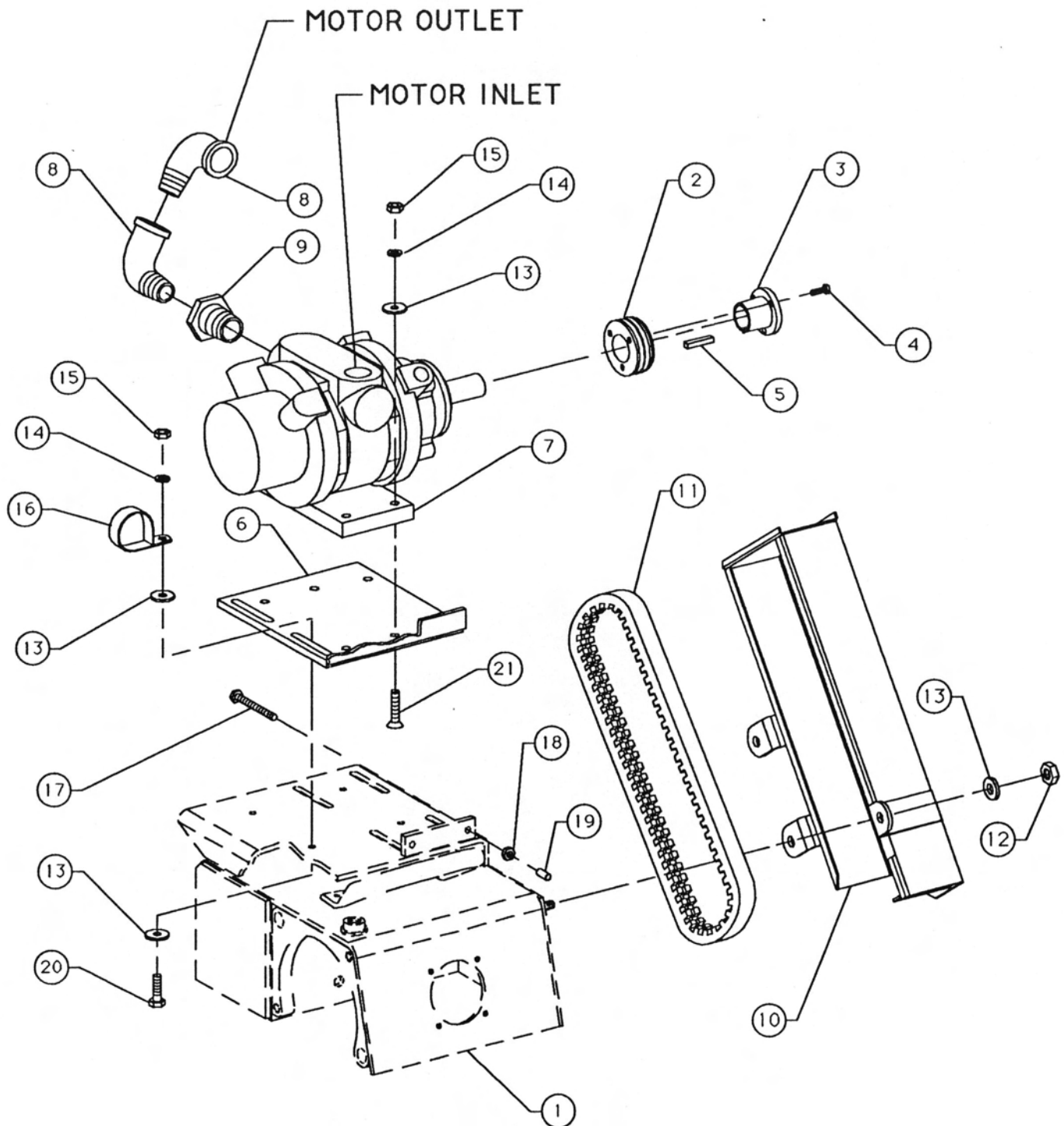
Operator Handle Assembly SP8/A Series II Surface Planer



Operator Handle Assembly SP8/A Series II Surface Planer

Reference Number	PART NUMBER	DESCRIPTION	QTY
1	SP8/A-0140	Handle, Operator	1
2	SP8-0130	Screw, Crank	1
3	SP8-0120	Knob, Handle	1
4	SP8-0410	Screw, Socket Head, Special	1
5	SP8-0430	Bearing	1
6	15050800	Screw, Cap, 5/16-18 UNC x 1", Grade 5, Plated	1
7	SP8-0150	Nut	1
8	56200000	Clamp, Hose, 1-1/4", Plated	1
9	SP8-0160	Boot, Sleeve	1
10	SP8-0170	Barrel, Adjusting	1
11	SP8/A-0180	Coupler, Air	1
12	SP8/A-0130	Hose, Whip, (53" Long)	1
13	18060000	Nut, Hex, 3/8-16 UNC, Grade 5, Plated	14
14	16060000	Washer, Lock, 3/8", Plated	14
15	53050000	Nut, Hex, 5/16-18 UNC, Self-Locking, Plated	2
16	15040500	Screw, Cap, 1/4-20 UNC x 5/8", Grade 5, Plated	12
17	SP8/A-0230	Hook And Lanyard Assembly	1
18	16040000	Washer, Lock, 1/4", Plated	12
19	17040000	Washer, Flat, 1/4", Plated	12
20	15081000	Screw, Cap, 1/2-13 UNC x 1-1/4", Grade 5, Plated	4
21	53080000	Nut, Hex, 1/2-13 UNC, Self-Locking, Plated	4
22	SP8/A-0080	Pipe Nipple, Close, 1" NPT	1
23	SP8/A-0010	Oiler, Air	1
24	SP8/A-0020	Filter, Air	1
25	SP8/A-0090	Elbow, Street, Pipe, 1" NPT	4
26	40100011	Nut, Hex, Jam, 5/8-18 UNF, Left Hand Thread, Plated	1
27	SP8-0180	Rod End	1
28	SP8/A-0210	U-Bolt, 3/8-16 UNC, Plated	3
29	SP8/A-0040	Regulator, Air	1
30	SP8/A-0140	Hose, Air (37" Long)	1
31	SP8/A-0120	Hose, Air (49" Long)	1
32	SP8/A-0110	Hose, Air (42" Long)	1
33	SP8/A-0100	Hose, Air (33" Long)	1
34	SP8/A-0030	Valve, Air	1
35	SP8/A-0030-010	Cover, Muffler	2
36	SP8/A-0030-020	Element, Muffler	2
37	SP8/A-0030-030	Base, Muffler	2
38	SP8/A-0170	Tee, Female Pipe, 1" NPT	1
39	SP8/A-140-10-30	Clamp, 3/8-16 UNC x 1-3/4", Plated	4
40	SP8/A-0200	Cable, Hose Safety	4
41	SP8/A-0070	Muffler, Complete	2
42	17080000	Washer, Flat, 1/2", Plated	4
43	SP8/A-0190	Gauge, Pressure	1

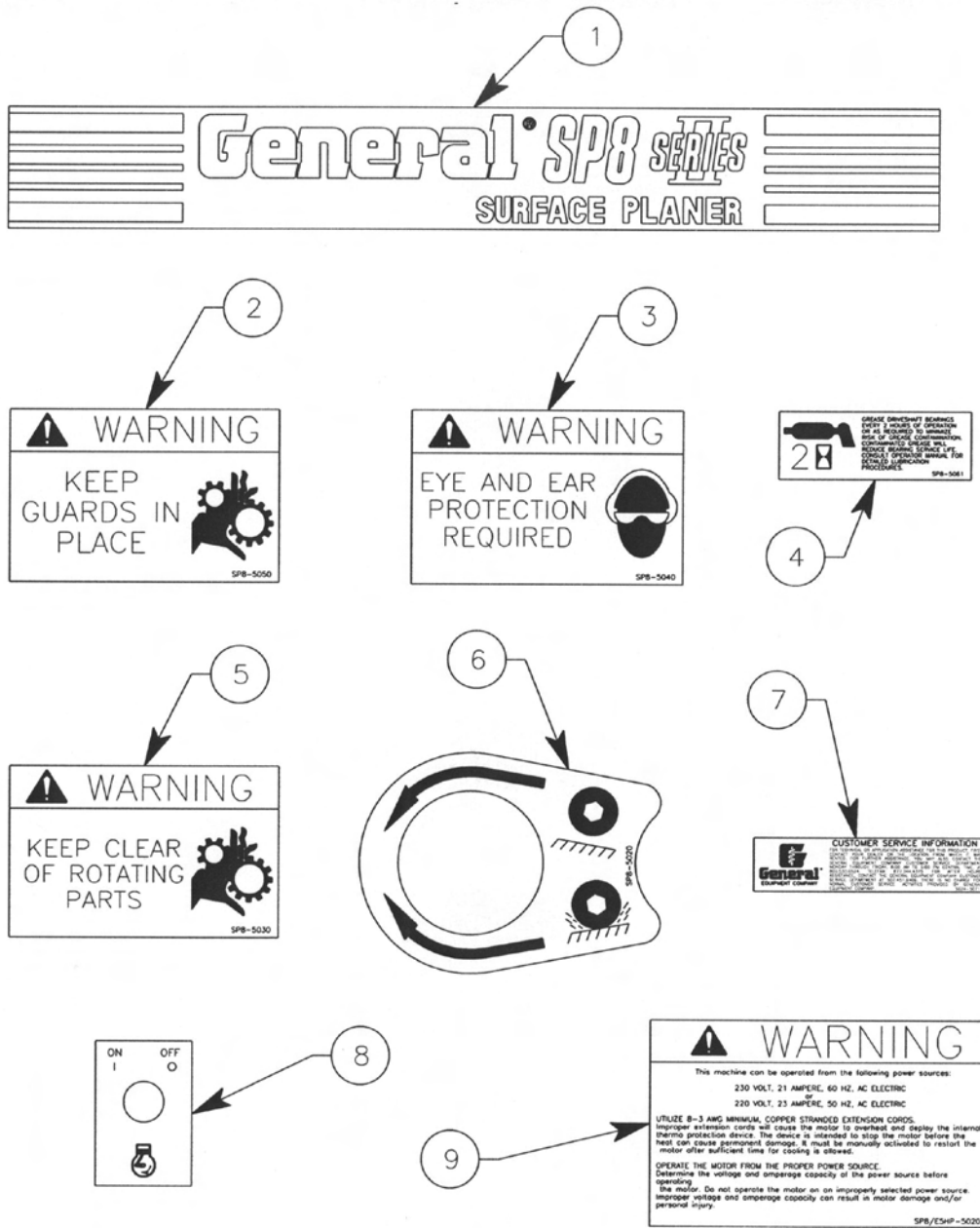
Air Motor Assembly SP8/A Series II Surface Planer



Air Motor Assembly SP8/A Series II Surface Planer

Reference Number	PART NUMBER	DESCRIPTION	QTY
1	SP8-0051	Frame, Main	Ref
2	SP8-0270	Sheave, Motor	1
3	SP8/E-0540	Sheave, Center Hub	1
4	15040600	Screw, Cap, 1/4-20 UNC x 3/4", Grade 5	2
5	SP8/E-0210	Key, 3/16" x 1/4" x 1"	1
6	SP8/A-0050	Plate, Motor	1
7	SP8/A-0060	Motor, Air	1
8	SP8/A-0090	Elbow, Street, 1" NPT	2
9	SP8/A-0160	Reducer, Pipe, 1-1/4" x 1" NPT	1
10	SP8/A-0300	Shroud, V-Belt Safety	1
11	3VX355	V-Belt	1
12	53060000	Nut, Hexagon, 3/8-16 UNC, Self-Locking, Plated	3
13	17060000	Washer, Flat, 3/8", Plated	15
14	16060000	Washer, Lock, 3/8", Plated	8
15	18060000	Nut, Hexagon, 3/8-16 UNC, Plated	8
16	SP8/A-0220	Clamp, Plated, 2"	1
17	SP8-0020	Screw, Cap, Full Thread, Engine Take-up, Plated	2
18	53050000	Nut, Hexagon, 5/16-18 UNC, Self-Locking, Plated	2
19	SP8-0380	Cap, Plastic	2
20	15060800	Screw, Cap, 3/8-16 UNC x 1", Grade 5, Plated	4
21	35060800	Screw, Flat Head, 3/8-16 UNC x 1", Grade 5, Plated	4

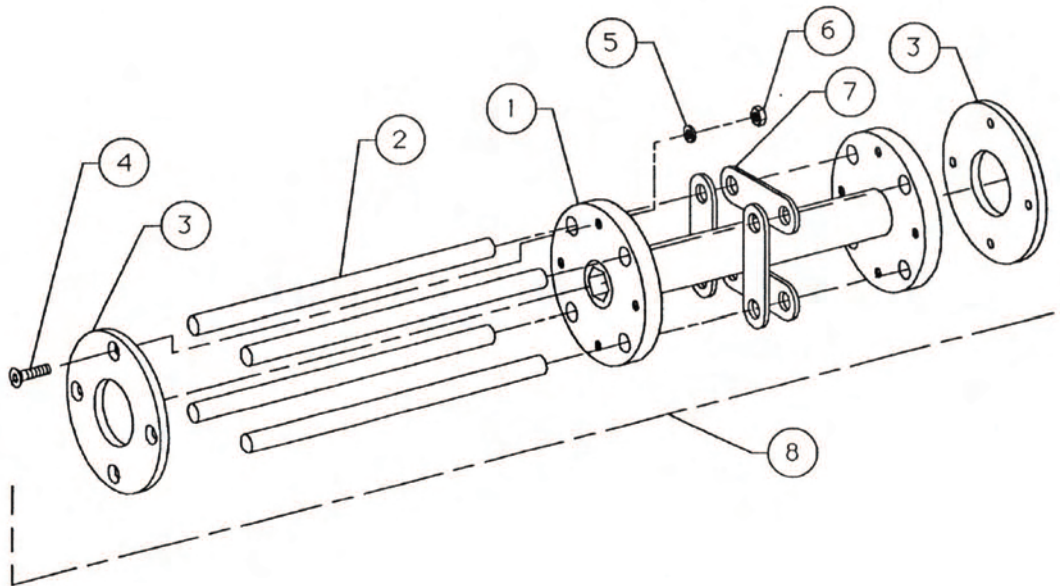
Replacement Decals SP8 Series II Surface Planers



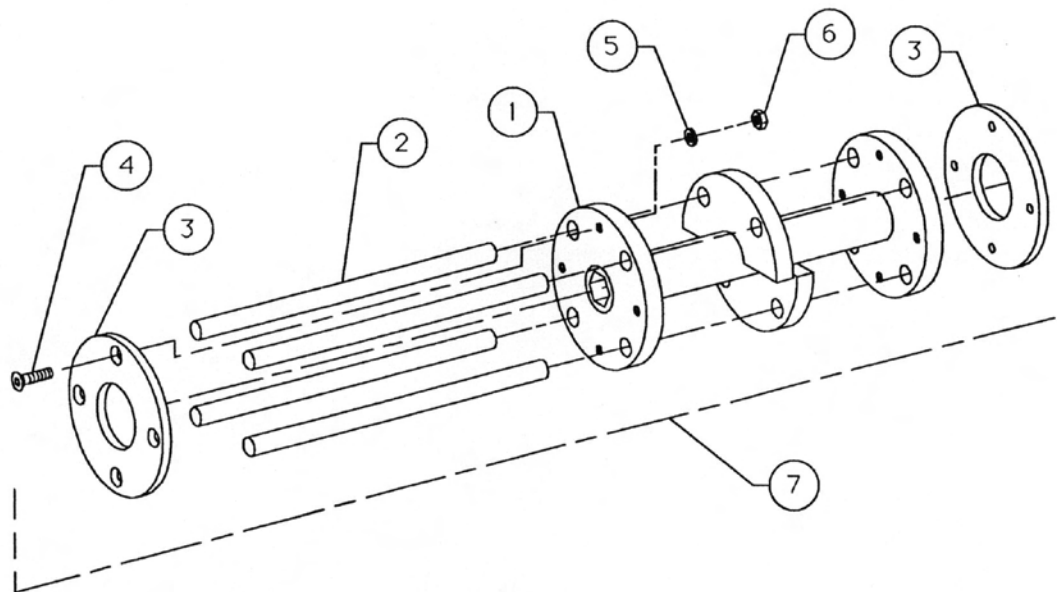
Replacement Decals SP8 Series II Surface Planers

Reference Number	PART NUMBER	DESCRIPTION	QTY
1	SP8-5012	Decal, General (Series II)	1
2	SP8-5050	Decal, Warning	1
3	SP8-5040	Decal, Warning	1
4	SP8-5061	Decal, Grease	2
5	SP8-5030	Decal, Warning	1
6	SP8-5020	Decal, Depth Control	1
7	SG24-5072	Decal, Assistance	1
8	CS8-5070	Decal, Shut-Off (SP8/GH Units Only)	1
9	SP8/E5HP-5020	Decal, Warning (SP8/E5HP Units Only)	1

One Section Drum Assembly SP8 Series II Surface Planers



Two Section Drum Assembly SP8 Series II Surface Planers



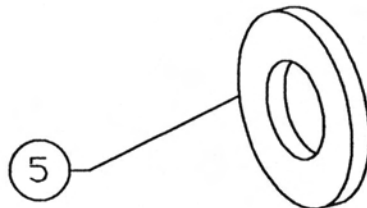
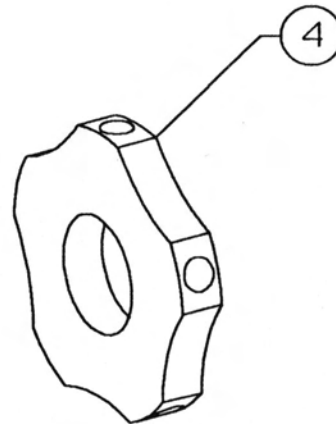
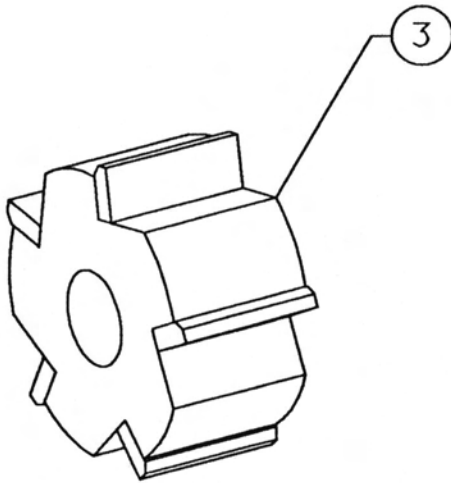
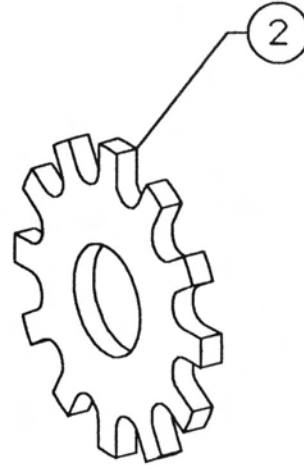
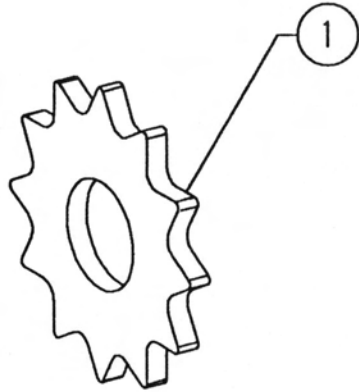
One Section Drum Assembly SP8 Series II Surface Planers

Reference Number	PART NUMBER	DESCRIPTION	QTY
1	SP8-2000-010	Drum, Flail, One Section	1
2	SP8-2000-040	Rod, Flail Drum	4
3	SP8-2000-050	Cap, End, Flail Drum	2
4	27040800	Screw, C/S, Allen Head, 1/4-20 UNC x 1", Plated	8
5	16040000	Washer, Lock, 1/4", Plated	8
6	52040000	Nut, Hex, 1/4-20 UNC, Self-Locking, Plated	8
7	SP8-2000-030	Strap, Support	8
8	SP8-2000-A	Flail Drum, 1 Section, Complete, Less Flails Includes 4 Support Straps	1

Two Section Drum Assembly SP8 Series II Surface Planers

Reference Number	PART NUMBER	DESCRIPTION	QTY
1	SP8-2100-010	Drum, Flail, Two Section	1
2	SP8-2000-040	Rod, Flail Drum	4
3	SP8-2000-050	Cap, End, Flail Drum	2
4	27040800	Screw, C/S, Allen Head, 1/4-20 UNC x 1", Plated	8
5	16040000	Washer, Lock, 1/4", Plated	8
6	52040000	Nut, Hex, 1/4-20 UNC, Self-Locking, Plated	8
7	SP8-2100-A	Flail Drum, 2 Section, Complete, Less Flails	1

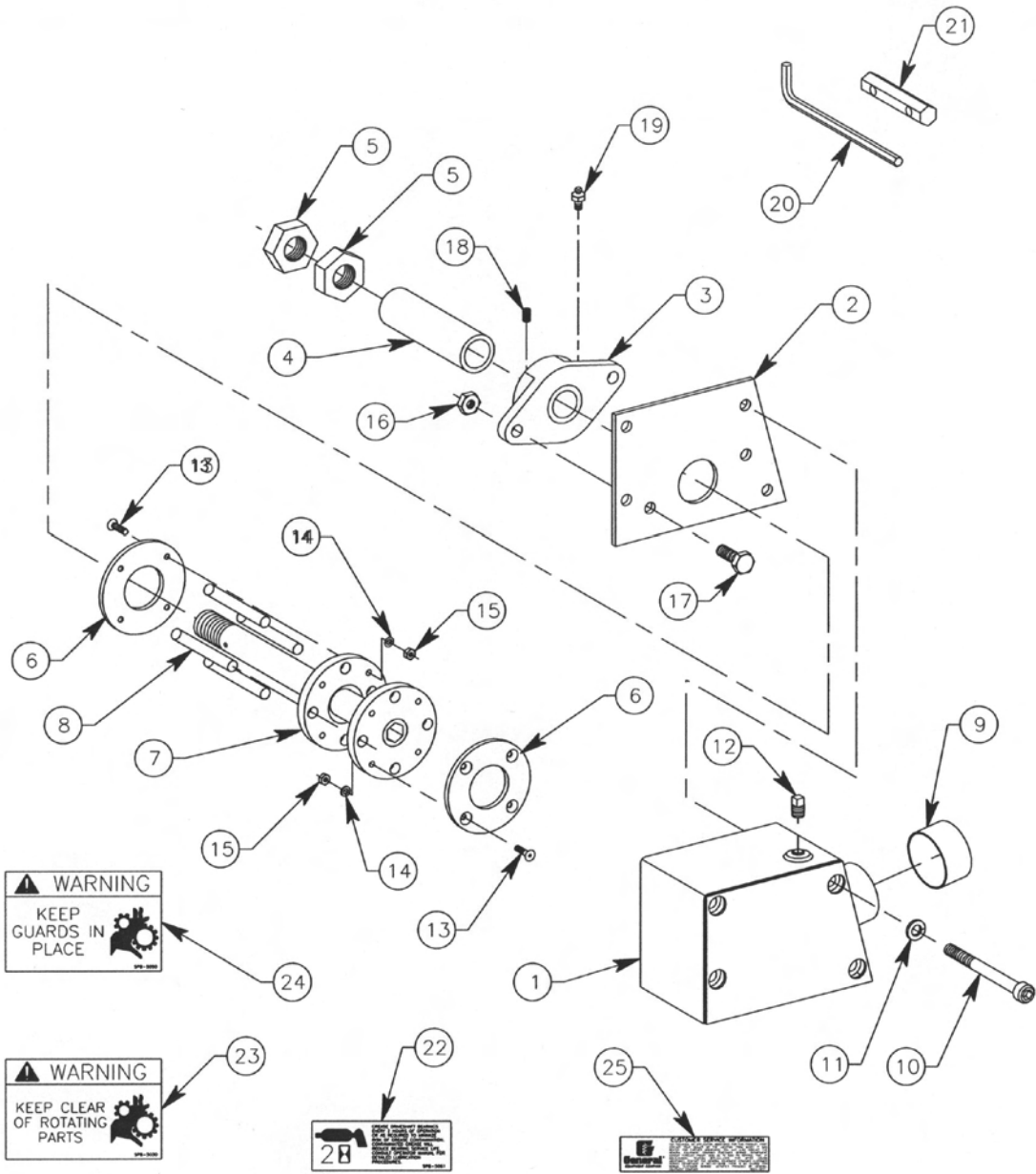
Flails And Spacer Washers SP8 Series II Surface Planers



Flails And Spacer Washers SP8 Series II Surface Planers

Reference Number	PART NUMBER	DESCRIPTION	QTY
1	SP8-3000	Flail, Star, Heat Treated Alloy Steel	As Needed
2	SP8-3100	Flail, Beam, Heat Treated Alloy Steel	As Needed
3	SP8-3300	Flail, Milling, Heat Treated Alloy Steel With Tungsten Carbide Inserts	As Needed
4	SP8-3200	Flail, Pentagonal, Heat Treated Alloy Steel With Tungsten Carbide Inserts	As Needed
5	SP8-4000	Washer, Spacing, Heat Treated Alloy Steel	As Needed

Edger Assembly SP8 Series II Surface Planers



Edger Assembly SP8 Series II Surface Planers

Reference Number	PART NUMBER	DESCRIPTION	QTY
1	SP81000-051	Cover, Edger	1
2	SP81000-030	Plate, Access	1
3	UCFT207-20	Bearing	1
4	SP81000-041	Tube, Spacer	1
5	40200000	Nut, Jam, 1 1/4-12 UNC	2
6	SP8-2000-050	Cap, Drum	2
7	SP81000-010	Drum Weldment	1
8	SP81000-020	Rod, Flail	4
9	SP8-0350	Cap, Dust Cover	1
10	60084400	Screw, Socket, 1/2-13 UNC x 5 1/2", Plated	4
11	16080000	Washer, Lock, 1/2", Plated	4
12	26040000	Plug, Pipe, 1/4" NPTF, Square	1
13	27040800	Screw, C/S, 1/4-20 UNC x 1", Plated	8
14	16040000	Washer, Lock, 1/4", Plated	8
15	52040000	Nut, Hexagon, Locking, 1/4-20 UNC, Plated	8
16	53080000	Nut, Hexagon, Nylock®, 1/2-13 UNC, Plated	2
17	15081200	Screw, Cap, 1/2-13 UNC x 1-1/2", Grade 5, Plated	2
18	31050401	Screw, Set, Cup Point, 5/16-24 UNF x 5/16"	1
19	54040001	Zerk, Grease, 1/4-28 UNF	1
20	05854-15	Key, Hex, 3/8" x 6"	1
21	5500-2X3-010	Coupler, Hex	1
22	SP8-5061	Decal, Grease	1
23	SP8-5030	Decal, Warning	1
24	SP8-5050	Decal, Warning	1
25	SG24-5072	Decal, Assistance	1